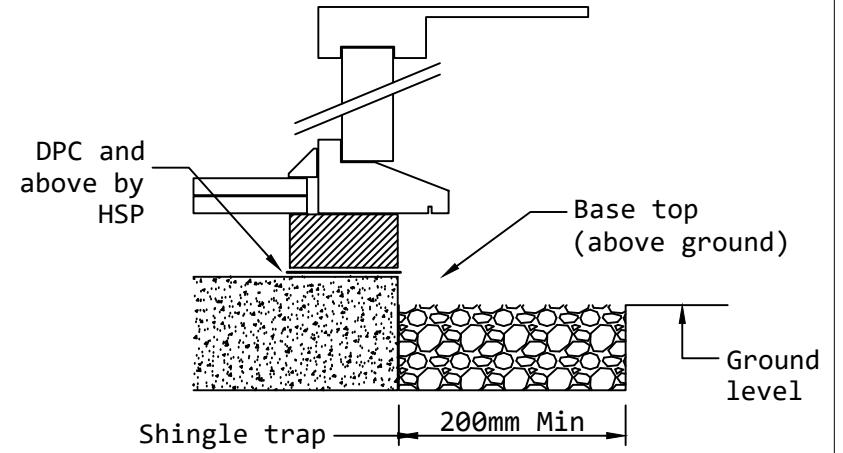


Chelsea 4200 x 3000



## Chelsea 4200 x 3000 (Base Plan)

© HSP Garden Buildings Ltd

Dimension tolerance +/- 20mm. Base should be level and even finish with a minimum clearance distance all round of 500mm from any obstructions to a height of 2400mm. For buildings not surrounded by hard standing we further recommend a surrounding gravel bed of approx. 200mm to prevent "splash back" from rain water on surrounding landscaping. Consideration should also be given to finished ground level, the top of the concrete base should always be above outside finished ground level.

Date - 25/02/2019  
 Scale - n/a  
 Dims - mm [Imp]  
 Job No - n/a